

Press release  
Dornbirn, January 2011

## **The Arcos spotlight range** Functional design, maximum lighting comfort and cutting-edge lighting technology



B1 | The Arcos spotlight boasts impressive form and functionality. A wide choice of spotlight sizes with various light sources, and a comprehensive range of accessories facilitate individually customised lighting solutions.

The Arcos spotlight and wallwasher system by Zumtobel comprises a range of spotlights to be used world-wide, fitted with various optics to perfectly illuminate prestigious application areas. The variety of optics, light sources and accessories available is unique in the market, allowing architects and designers to create complete solutions to perform any lighting task.

The Arcos luminaire range once again underscores Zumtobel's lighting technology expertise in the area of functional lighting. The spotlights' compact dimensions and straight-line design are in harmony with their perfect proportions, which is the result of Zumtobel's collaboration with the renowned David Chipperfield architects' studio. As a special design feature, the lamp housing and control gear have been deliberately combined to form one unit. This ensures that particularly favourable thermal conditions are achieved („cool touch“ function), which makes the spotlights safe to touch even when they are switched on, and also prolongs the light sources' service life. The spotlight has

been designed to ensure that no stray light is produced.

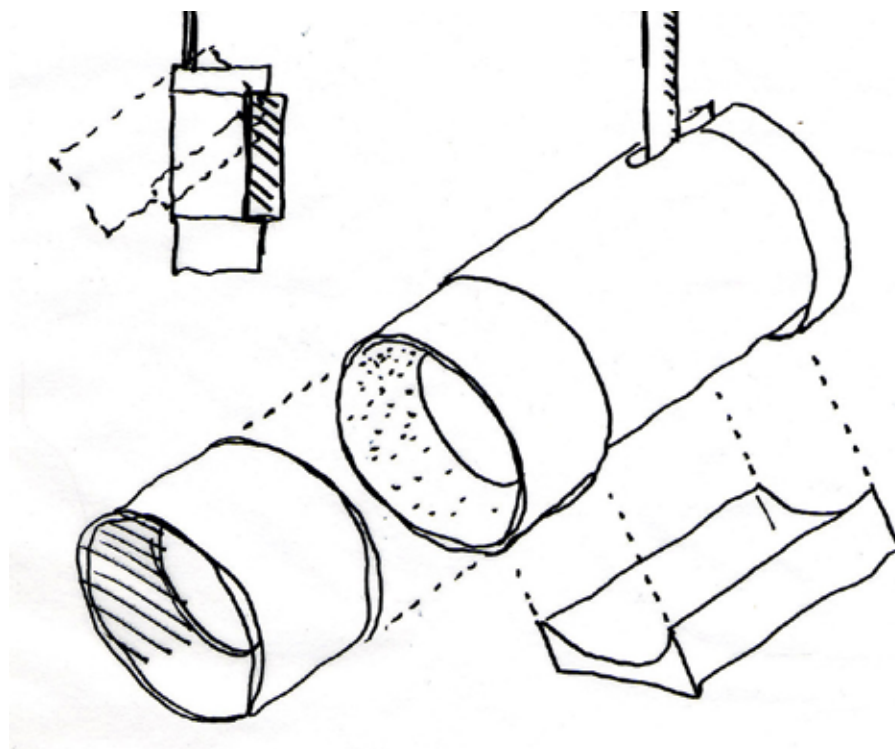
The spotlight is available in four different sizes, including a wallwasher version. They are available with various low-voltage and high-voltage halogen lamps and high-pressure discharge lamps. In spring 2010, the spotlight range was extended by three new LED models: in addition to the LED Stable White spotlight in design size 2, two other LED spots are available - Arcos LED Tunable White and Arcos LED Tempura in size 3.

Arcos LED Tunable White boasts high colour rendition quality of  $Ra > 90$  at 3000 K, as well as colour temperatures continuously adjustable in the white light range from 2700 K to 6500 K. LED Tempura excites users with an RGB LED module that, apart from variable white light, provides for lighting scenarios in dynamic colours, allowing to perfectly bring out even the lighting solution's most subtle shades and accents, and to adjust them to the respective si-

tuation. The luminaire is controlled either via DALI or directly at the spotlight. Digitally addressable control gear enables individual lighting concepts, which can be easily modified even after installation - using the Luxmate Emotion lighting management system, for example.

The Arcos spotlights and wallwashers have one thing in common: extremely high lighting quality. The lighting cones they produce are particularly uniform; they show no streaks but a clean, softly fading edge, without any distracting glare. The extensive range of lenses, filters and anti-glare options available allows adjustment to any lighting situation.

Separation of the light source, reflector and accessory holder makes relamping and replacing reflectors or accessories easy – no tools are required. The pivot point is recessed in the lamp housing. The front cylinder includes the accessory holder, which can be rotated and locked. There is a navigation disk at the rear of the spotlight, which is used to accommodate important add-on functions such as colour temperature, lockability and dimmability. The spotlights and wallwashers are made of die-cast aluminium and are available in anthracite and white.



B2 | Schematic diagram of the Arcos spotlight showing integration of optical and electrical components.



B3 | With their dynamic colour temperatures, the new Arcos LED Tunable White and Arcos LED Tempura LED spotlights demonstrate new prestigious lighting options. Their high colour rendition quality not only improves perception, but also creates eye-catchers and highlights colours.



B4 | The architect David Chipperfield

More information:



Zumtobel GmbH  
Nadja Frank  
Press Office  
Schweizer Straße 30  
A-6850 Dornbirn

Tel. +43 (0)5572 390 - 1303  
Fax +43 (0)5572 390 - 91303  
Mobil +43 (0)676 8920 3904  
nadja.frank@zumtobel.com  
www.zumtobel.com